

MOUNTING YOUR DYNASTY SWIMMING POOL

Find the size of your pool and count the parts. Open the boxes and make sure that you have all parts listed in the parts list tables. Carefully identify each component of your Dynasty pool.

Size of the KD Dynasty pool		10' x 10'		10' x 16'		10' x 23'		13' x 26'		16.5' x 33'	
Required ground surface to prepare*		13 x 13		13 x 20		13 x 26		17 x 30		20 x 38	
Water volume*		2,642 gal		3,963 gal		5,548 gal		8,455 gal		13,209 gal	
Indicate mounting time 2 persons**		50 min.		1 hour		1 hour 15 min.		1 hour 30 min.		2 hours	
Ref.	Description	Qty	Code	Qty	Code	Qty	Code	Qty	Code	Qty	Code
1	Horizontal tube no. 1	--	-----	4	P61026	8	P61026	12	P61026	18	P61026
2	Horizontal tube no. 2	4	P61027	4	P61027	4	P61027	4	P61027	4	P61027
3	Horizontal tube no. 3	4	P61028	4	P61028	4	P61028	4	P61028	4	P61028
4	Right-hand upright	12	P61440	16	P61440	20	P61440	24	P61440	30	P61440
5	Left-hand upright	12	P61441	16	P61441	20	P61441	24	P61441	30	P61441
6	Liner	1	P61434-6	1	P61435-6	1	P61436-6	1	P61438-6	1	P61439-6
7	Tube nose	8	P61022	8	P61022	8	P61022	8	P61022	8	P61022
8	Base plate	12	P61021	16	P61021	20	P61021	24	P61021	30	P61021
10	KDPLUS strap	12	P61262	16	P61262	20	P61262	24	P61262	30	P61262
9	Strap connecting pin	12	P61034	16	P61034	20	P61034	24	P61034	30	P61034
11	Repair kit	1	P61442	1	P61442	1	P61442	1	P61442	1	P61442
12	Ladder fastening strap	2	P61283	2	P61283	2	P61283	2	P61283	2	P61283
13	Twine, short side	2	P61036	2	P61036	2	P61036	2	P61079	2	P61160
14	Twine, long side	2	P61035	2	P61035	2	P61075	2	P61078	2	P61161
15	Tube spring	/	P61025	/	P61025	/	P61025	/	P61025	/	P61025
16/18	Tube and tube nose clip button	/	P61023	/	P61023	/	P61023	/	P61023	/	P61023
17	Tube nose spring	/	P61024	/	P61024	/	P61024	/	P61024	/	P61024
19	Upright spring	/	P61443	/	P61443	/	P61443	/	P61443	/	P61443
20	Upright clip button	/	P61444	/	P61444	/	P61444	/	P61444	/	P61444
21	Braided PE bag (package)	1	P61373	1	P61374	1	P61375	1	P61376	1	P61377
22	Soft skimmer body	1	-----	1	-----	1	-----	2	-----	2	-----
23	Rigid body (lower section)	1	P61314	1	P61314	1	P61314	2	P61314	2	P61314
24***	Rigid body (upper section)	1	P61315	1	P61315	1	P61315	2	P61315	2	P61315
25***	Front side seal	1	P61304	1	P61304	1	P61304	2	P61304	2	P61304
26***	Front adapter	1	P61288	1	P61288	1	P61288	2	P61288	2	P61288
27***	Fastening screws (up section)	2	P61305	2	P61305	2	P61305	4	P61305	4	P61305
28***	Skimmer flap	1	P61316	1	P61316	1	P61316	2	P61316	2	P61316
29	Clamping bar (2 clips)	1	P61289	1	P61289	1	P61289	2	P61289	2	P61289
30	Skimmer basket	1	P61290	1	P61290	1	P61290	2	P61290	2	P61290
31	Cleaner connection	1	P61291	1	P61291	1	P61291	2	P61291	2	P61291
32	Skimmer protective hood	1	P61292	1	P61292	1	P61292	2	P61292	2	P61292
33	Skimmer reinforcing rod	1	P61284	1	P61284	1	P61284	2	P61284	2	P61284
34	Angle tarpaulin	4	P61306	4	P61306	4	P61306	4	P61306	4	P61306
35	Beit ****	1	P61445	1	P61446	1	P61447	1	P61449	1	P61450
36	Tube plug	2	P61318	2	P61318	2	P61318	2	P61318	2	P61318

*: Theoretical dimension / volume values: the manufacturer reserves the right to make any change he could consider necessary for models presented. These values are indicative and they may change according to the various manufacturing tolerances.

** : Indicative mounting time for 2 persons. This time considers neither the ground preparation nor the filling of the pool.

***: Spare part code (factory-mounted on the rigid body, upper section).

****: Factory mounted to the liner

NOTE: Parts 15, 16, 17, 18, 19 and 20 are factory-mounted in the tubes, tube noses and uprights. The code is given for single spare parts.

MOUNTING YOUR DYNASTY SWIMMING POOL

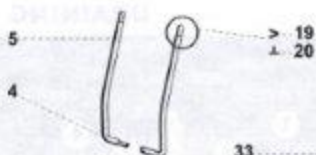
For pool
height: 52"
Tubes - Ø60 mm



> 15
└ 16



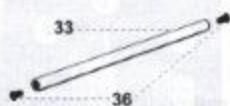
> 17
└ 18



> 19
└ 20



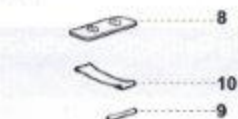
21



36



35



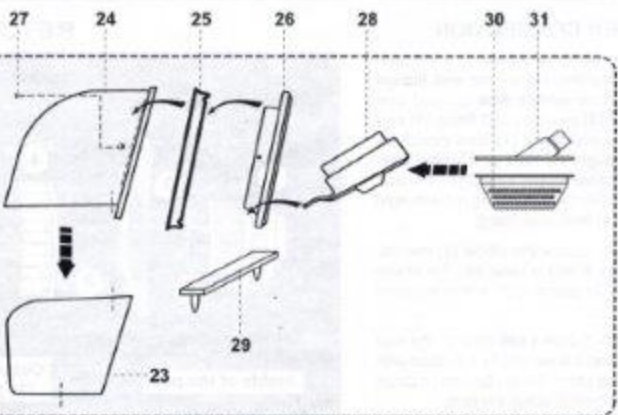
KIT



34



32



27

24

25

26

28

30

31

22

29

23